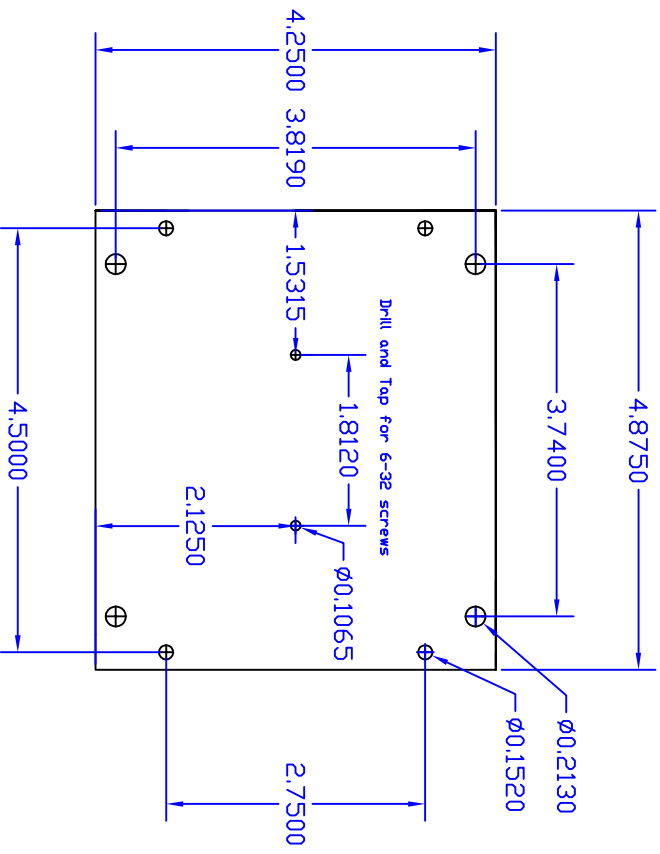


REVISIONS				
ZONE	REV	DESCRIPTION	DATE	APPROVED



HAIDAR TECHNOLOGY
Mounting Plate 4.875X4.25

3003-H14 Brushed AL
 Thickness 0.1"

All Dim in Inches

SIZE		FSCM NO.		DWG NO.		REV
SCALE				SHEET		